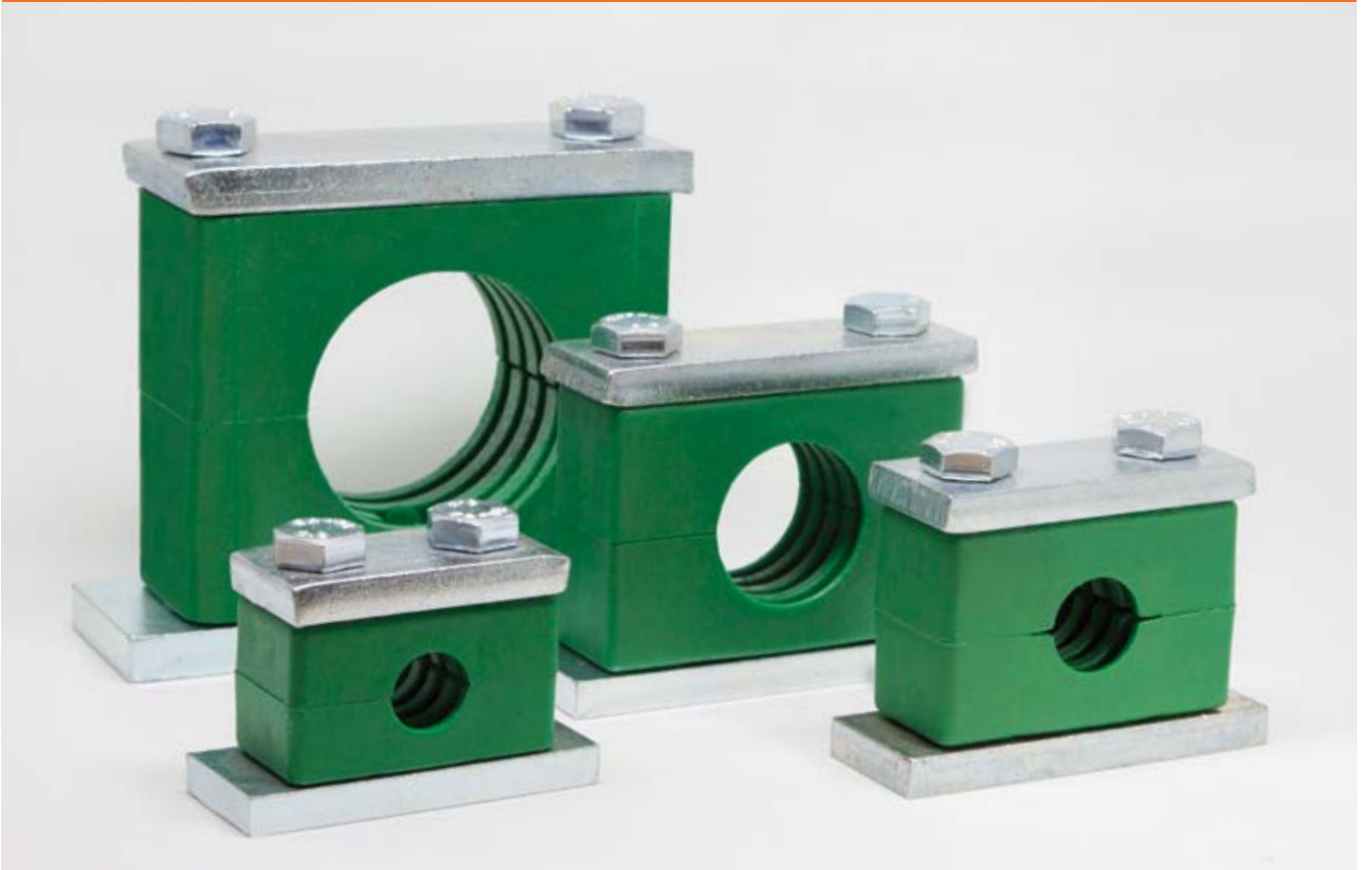
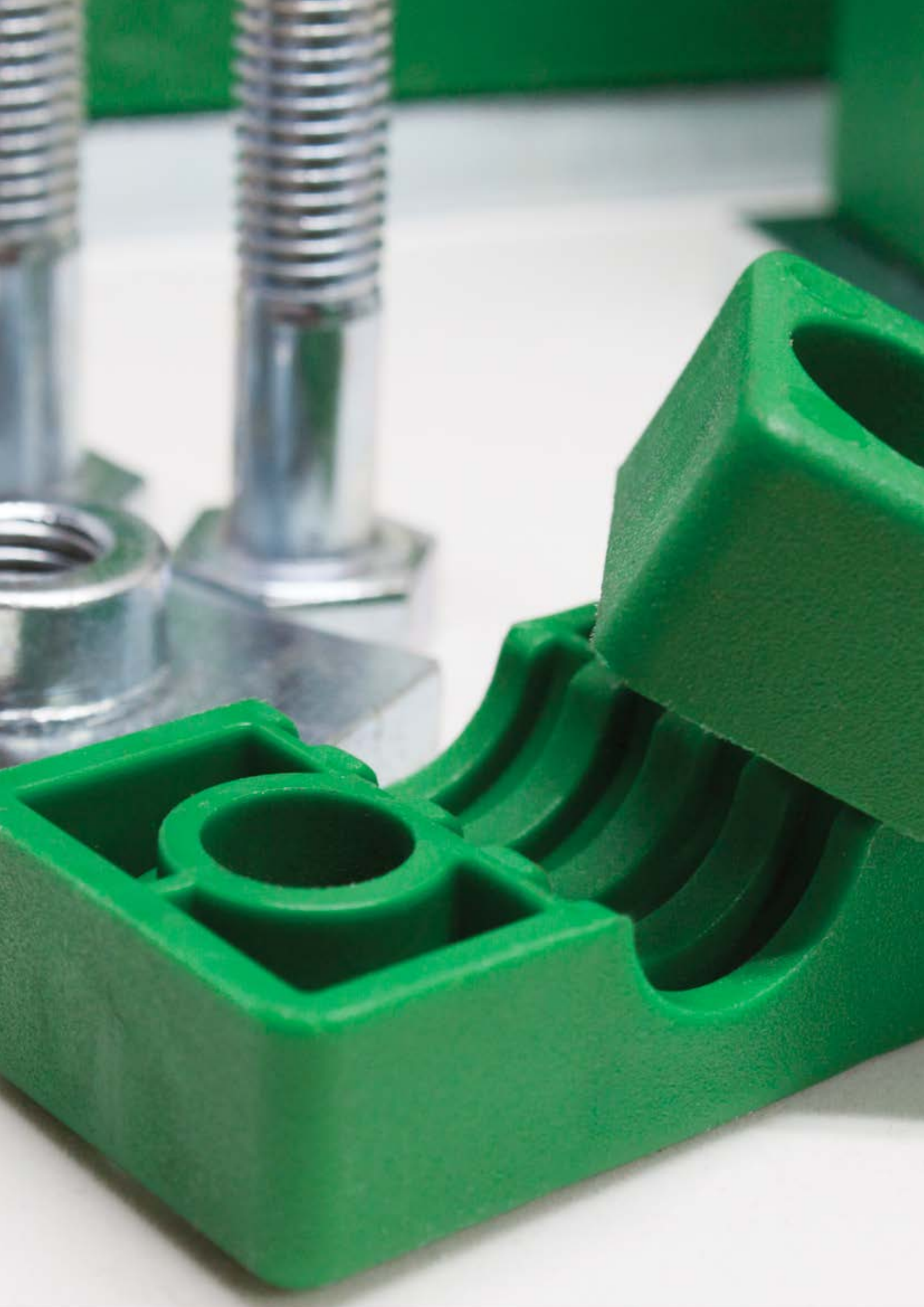
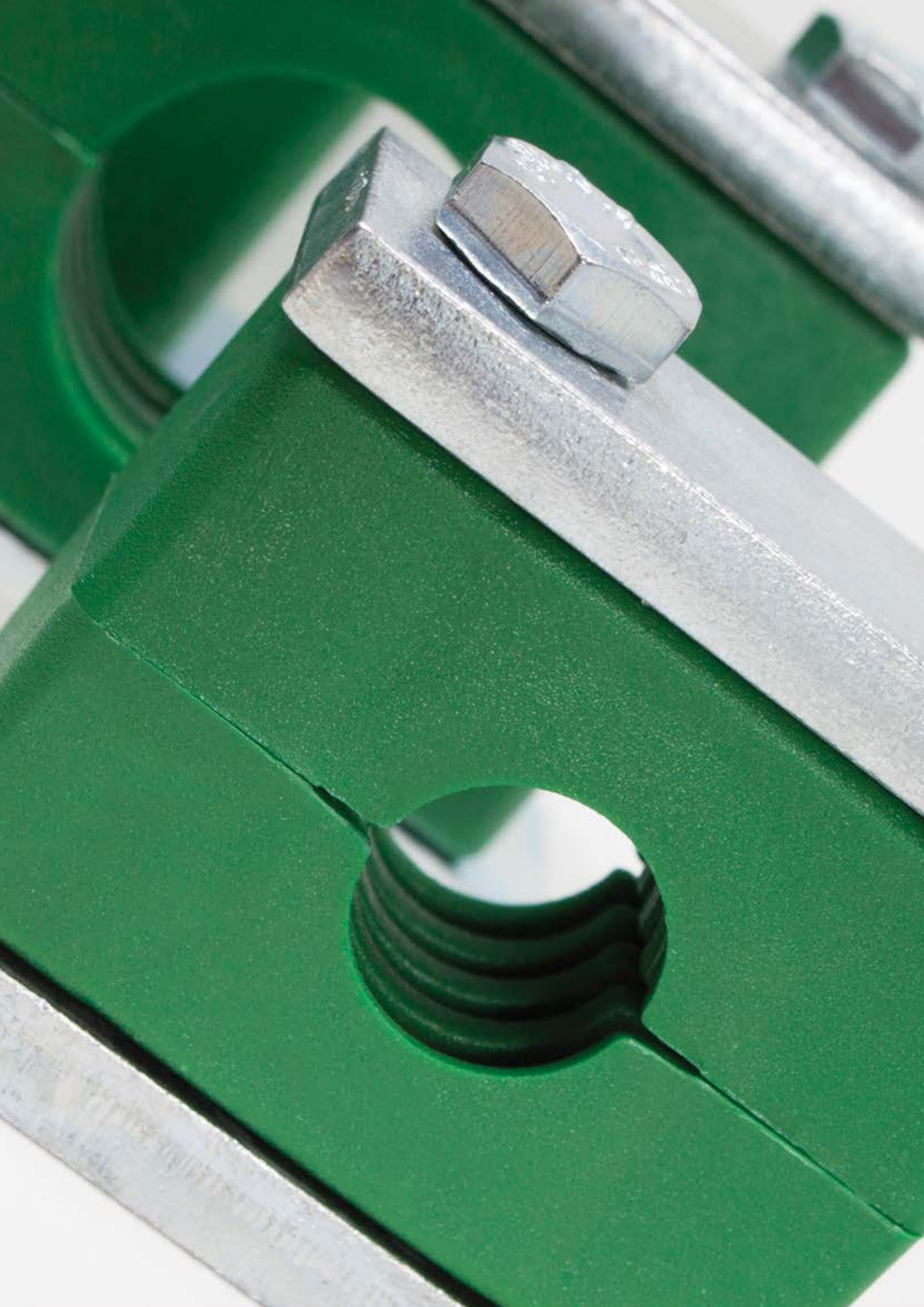


Ađır Seri

Heavy Series

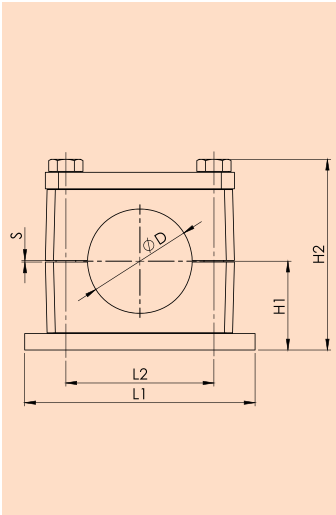








Komple Kelepçe
Complete Clamp

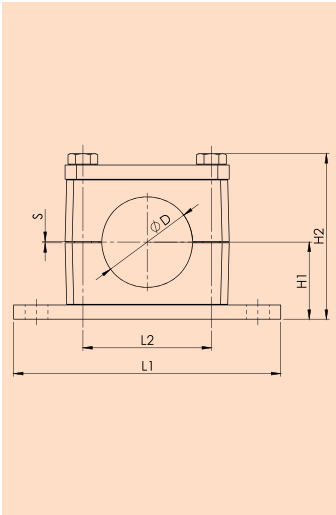


Grup Group	Ürün Kodu Product Code	Dış Çap O.D of Pipe mm	Boru Diş Nominal Bore Pipe Inches	Ölçü Tablosu / Dimension Table					
				L1	L2	H1	H2	S min.	Genişlik Width
A1	HBKPPAS0106	6		74	33	24	55	0,6	30
	HBKPPAS0108	8							
	HBKPPAS0110	10	1/8"						
	HBKPPAS0112	12							
	HBKPPAS0113,5	13,5	1/4"						
	HBKPPAS0114	14							
	HBKPPAS0115	15							
	HBKPPAS0116	16							
	HBKPPAS0117,2	17,2	3/8"						
HBKPPAS0118	18								
A2	HBKPPAS0220	20		87	45	32	71	0,6	30
	HBKPPAS0221,3	21,3	1/2"						
	HBKPPAS0222	22							
	HBKPPAS0225	25							
	HBKPPAS0226,9	26,9	3/4"						
	HBKPPAS0228	28							
	HBKPPAS0230	30							
A3	HBKPPAS032	32		100	60	38	83	0,6	30
	HBKPPAS333,7	33,7	1"						
	HBKPPAS0335	35							
	HBKPPAS0338	38							
	HBKPPAS0340	40							
	HBKPPAS0342	42	1-1/4"						
A4	HBKPPAS0444,5	44,5		140	90	54,5	117	2	45
	HBKPPAS0448,3	48,3	1-1/2"						
	HBKPPAS0450,8	50,8							
	HBKPPAS0455	55							
	HBKPPAS0457	57							
	HBKPPAS0460,3	60,3	2"						
	HBKPPAS0463,5	63,5							
	HBKPPAS0465	65							
HBKPPAS0470	70								
A5	HBKPPAS0573	73		180	122	70	150	2	60
	HBKPPAS0576,1	76,1	2-1/2"						
	HBKPPAS0580	80							
	HBKPPAS0588,9	88,9	3"						
A6	HBKPPAS06101,6	101,6	3-1/2"	226	168	99	211	2	80
	HBKPPAS06108	108							
	HBKPPAS06114,3	114,3	4"						
A7	HBKPPAS07139,7	139,7	5"	270	205	115	245	3	90
	HBKPPAS07168,3	168,3	6"						
A8	HBKPPAS08219,1	219,1	8"	340	265	160	339	3	120



Montaj Delikli Kelepçe

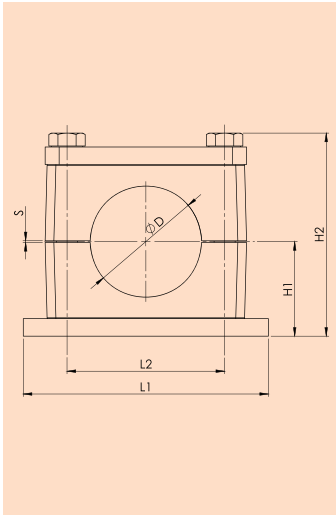
Complete Clamp With Elongated Weld Plate



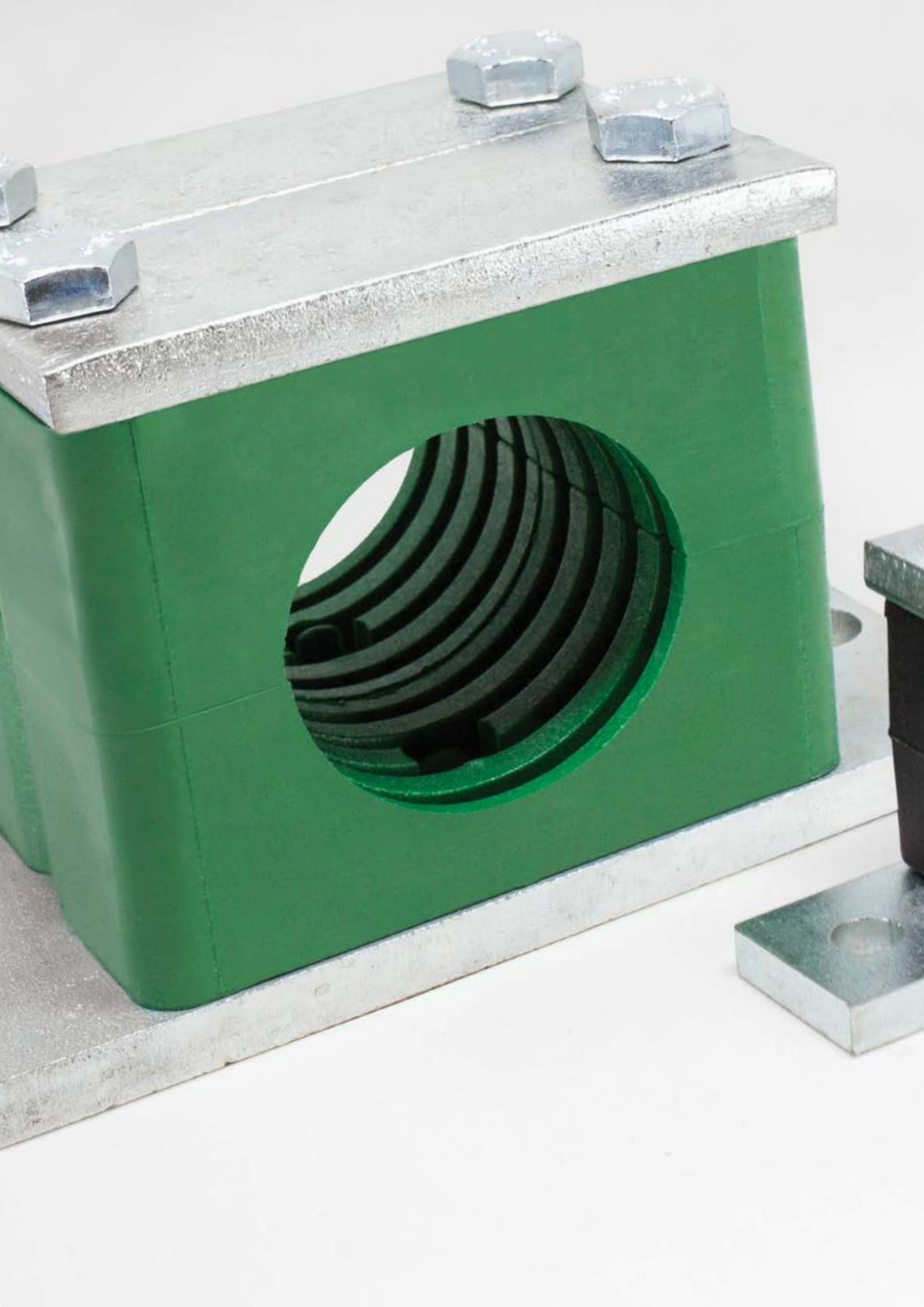
Grup Group	Ürün Kodu Product Code	Dış Çap O.D of Pipe mm	Boru Diş Nominal Bore Pipe Inches	Ölçü Tablosu / Dimension Table					
				L1	L2	H1	H2	S min.	Genişlik Width
A1	HBKPPASMNDL0106	6		113	33	24	55	0,6	30
	HBKPPASMNDL0108	8							
	HBKPPASMNDL0110	10	1/8"						
	HBKPPASMNDL0112	12							
	HBKPPASMNDL0113,5	13,5	1/4"						
	HBKPPASMNDL0114	14							
	HBKPPASMNDL0115	15							
	HBKPPASMNDL0116	16							
	HBKPPASMNDL0117,2	17,2	3/8"						
HBKPPASMNDL0118	18								
A2	HBKPPASMNDL0220	20		125	45	32	71	0,6	30
	HBKPPASMNDL0221,3	21,3	1/2"						
	HBKPPASMNDL0222	22							
	HBKPPASMNDL0225	25							
	HBKPPASMNDL0226,9	26,9	3/4"						
	HBKPPASMNDL0228	28							
	HBKPPASMNDL0230	30							
A3	HBKPPASMNDL032	32		140	60	38	83	0,6	30
	HBKPPASMNDL333,7	33,7	1"						
	HBKPPASMNDL0335	35							
	HBKPPASMNDL0338	38							
	HBKPPASMNDL0340	40							
	HBKPPASMNDL0342	42	1-1/4"						
A4	HBKPPASMNDL0444,5	44,5		187	90	54,5	117	2	45
	HBKPPASMNDL0448,3	48,3	1-1/2"						
	HBKPPASMNDL0450,8	50,8							
	HBKPPASMNDL0455	55							
	HBKPPASMNDL0457	57							
	HBKPPASMNDL0460,3	60,3	2"						
	HBKPPASMNDL0463,5	63,5							
	HBKPPASMNDL0465	65							
	HBKPPASMNDL0470	70							
A5	HBKPPASMNDL0573	73		238	122	70	150	2	60
	HBKPPASMNDL0576,1	76,1	2-1/2"						
	HBKPPASMNDL0580	80							
	HBKPPASMNDL0588,9	88,9	3"						
A6	HBKPPASMNDL06101,6	101,6	3-1/2"	309	168	99	211	2	80
	HBKPPASMNDL06108	108							
	HBKPPASMNDL06114,3	114,3	4"						
A7	HBKPPASMNDL07139,7	139,7	5"	370	205	115	245	3	90
	HBKPPASMNDL07168,3	168,3	6"						
A8	HBKPPASMNDL08219,1	219,1	8"	440	265	160	339	3	120



Sırt Sırta Kelepçe
Double Clamp



Grup Group	Ürün Kodu Product Code	Dış Çap O.D of Pipe mm	Boru Dış Nominal Bore Pipe Inches	Ölçü Tablosu / Dimension Table					
				L1	L2	H1	H2	S min.	Genişlik Width
A1	HBKPPASSS0106	6		74	33	24	55	0,6	60
	HBKPPASSS0108	8							
	HBKPPASSS0110	10	1/8"						
	HBKPPASSS0112	12							
	HBKPPASSS0113,5	13,5	1/4"						
	HBKPPASSS0114	14							
	HBKPPASSS0115	15							
	HBKPPASSS0116	16							
	HBKPPASSS0117,2	17,2	3/8"						
HBKPPASSS0118	18								
A2	HBKPPASSS0220	20		86	45	32	71	0,6	60
	HBKPPASSS0221,3	21,3	1/2"						
	HBKPPASSS0222	22							
	HBKPPASSS0225	25							
	HBKPPASSS0226,9	26,9	3/4"						
	HBKPPASSS0228	28							
	HBKPPASSS0230	30							
A3	HBKPPASSS032	32		100	60	38	83	0,6	60
	HBKPPASSS333,7	33,7	1"						
	HBKPPASSS0335	35							
	HBKPPASSS0338	38							
	HBKPPASSS0340	40							
	HBKPPASSS0342	42	1-1/4"						
A4	HBKPPASSS0444,5	44,5		140	90	54,5	117	2	90
	HBKPPASSS0448,3	48,3	1-1/2"						
	HBKPPASSS0450,8	50,8							
	HBKPPASSS0455	55							
	HBKPPASSS0457	57							
	HBKPPASSS0460,3	60,3	2"						
	HBKPPASSS0463,5	63,5							
	HBKPPASSS0465	65							
	HBKPPASSS0470	70							
A5	HBKPPASSS0573	73		180	122	70	150	2	120
	HBKPPASSS0576,1	76,1	2-1/2"						
	HBKPPASSS0580	80							
	HBKPPASSS0588,9	88,9	3"						
A6	HBKPPASSS06101,6	101,6	3-1/2"	226	168	99	211	2	160
	HBKPPASSS06108	108							
	HBKPPASSS06114,3	114,3	4"						
A7	HBKPPASSS07139,7	139,7	5"	270	205	115	245	3	182
	HBKPPASSS07168,3	168,3	6"						
A8	HBKPPASSS08219,1	219,1	8"	340	265	160	339	3	240





Sırt Sırta Montaj Delikli Kelepçe

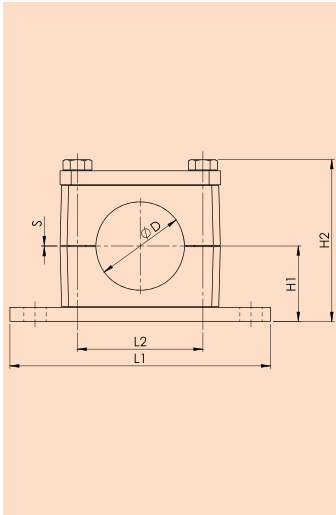
Double Clamp With
Elongated Weld Plate

Renk / Colour (c)

■ Kırmızı / Red

■ Sarı / Yellow

■ Mavi / Blue

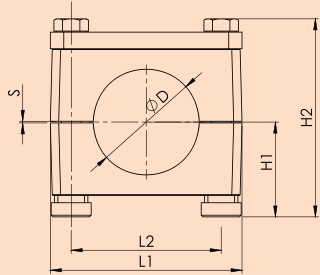


Grup Group	Ürün Kodu Product Code	Dış Çap O.D of Pipe mm	Boru Dış Nominal Bore Pipe Inches	Ölçü Tablosu / Dimension Table					
				L1	L2	H1	H2	S min.	Genişlik Width
A1	HBKPPASSMNDL0106	6		113	33	24	55	0,6	60
	HBKPPASSMNDL0108	8							
	HBKPPASSMNDL0110	10	1/8"						
	HBKPPASSMNDL0112	12							
	HBKPPASSMNDL0113,5	13,5	1/4"						
	HBKPPASSMNDL0114	14							
	HBKPPASSMNDL0115	15							
	HBKPPASSMNDL0116	16							
	HBKPPASSMNDL0117,2	17,2	3/8"						
HBKPPASSMNDL0118	18								
A2	HBKPPASSMNDL0220	20		125	45	32	71	0,6	60
	HBKPPASSMNDL0221,3	21,3	1/2"						
	HBKPPASSMNDL0222	22							
	HBKPPASSMNDL0225	25							
	HBKPPASSMNDL0226,9	26,9	3/4"						
	HBKPPASSMNDL0228	28							
	HBKPPASSMNDL0230	30							
A3	HBKPPASSMNDL032	32		140	60	38	83	0,6	60
	HBKPPASSMNDL333,7	33,7	1"						
	HBKPPASSMNDL0335	35							
	HBKPPASSMNDL0338	38							
	HBKPPASSMNDL0340	40							
	HBKPPASSMNDL0342	42	1-1/4"						
A4	HBKPPASSMNDL0444,5	44,5		187	90	54,5	117	2	90
	HBKPPASSMNDL0448,3	48,3	1-1/2"						
	HBKPPASSMNDL0450,8	50,8							
	HBKPPASSMNDL0455	55							
	HBKPPASSMNDL0457	57							
	HBKPPASSMNDL0460,3	60,3	2"						
	HBKPPASSMNDL0463,5	63,5							
	HBKPPASSMNDL0465	65							
	HBKPPASSMNDL0470	70							
A5	HBKPPASSMNDL0573	73		238	122	70	150	2	120
	HBKPPASSMNDL0576,1	76,1	2-1/2"						
	HBKPPASSMNDL0580	80							
	HBKPPASSMNDL0588,9	88,9	3"						
A6	HBKPPASSMNDL06101,6	101,6	3-1/2"	309	168	99	211	2	160
	HBKPPASSMNDL06108	108							
	HBKPPASSMNDL06114,3	114,3	4"						
A7	HBKPPASSMNDL07139,7	139,7	5"	370	205	115	245	3	182
	HBKPPASSMNDL07168,3	168,3	6"						
A8	HBKPPASSMNDL08219,1	219,1	8"	440	265	160	339	3	240





Raya Uyumlu Kelepçe
Clamp With Rail Nut



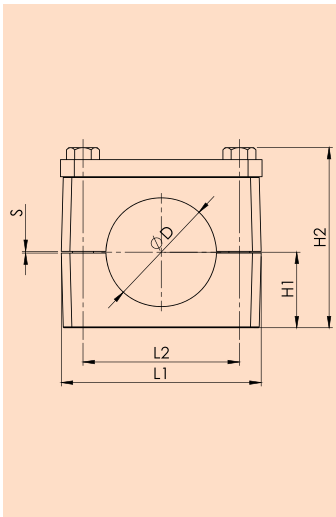
Grup Group	Ürün Kodu Product Code	Dış Çap O.D of Pipe mm	Boru Dış Nominal Bore Pipe Inches	Ölçü Tablosu / Dimension Table					
				L1	L2	H1	H2	S min.	Genişlik Width
A1	HBKPPASRAY0106	6		55	33	28,5	59,5	0,6	30
	HBKPPASRAY0108	8							
	HBKPPASRAY0110	10	1/8"						
	HBKPPASRAY0112	12							
	HBKPPASRAY0113,5	13,5	1/4"						
	HBKPPASRAY0114	14							
	HBKPPASRAY0115	15							
	HBKPPASRAY0116	16							
	HBKPPASRAY0117,2	17,2	3/8"						
HBKPPASRAY0118	18								
A2	HBKPPASRAY0220	20		70	45	36,5	75,5	0,6	30
	HBKPPASRAY0221,3	21,3	1/2"						
	HBKPPASRAY0222	22							
	HBKPPASRAY0225	25							
	HBKPPASRAY0226,9	26,9	3/4"						
	HBKPPASRAY0228	28							
	HBKPPASRAY0230	30							
A3	HBKPPASRAY032	32		85	60	42,5	87,5	0,6	30
	HBKPPASRAY333,7	33,7	1"						
	HBKPPASRAY0335	35							
	HBKPPASRAY0338	38							
	HBKPPASRAY0340	40							
	HBKPPASRAY0342	42	1-1/4"						
A4	HBKPPASRAY0444,5	44,5		115	90	58	120,5	2	45
	HBKPPASRAY0448,3	48,3	1-1/2"						
	HBKPPASRAY0450,8	50,8							
	HBKPPASRAY0455	55							
	HBKPPASRAY0457	57							
	HBKPPASRAY0460,3	60,3	2"						
	HBKPPASRAY0463,5	63,5							
	HBKPPASRAY0465	65							
	HBKPPASRAY0470	70							





Ara Plakalı Kelepçe

Clamp Upper Set

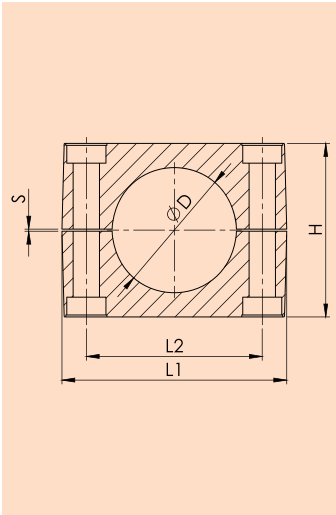


Grup Group	Ürün Kodu Product Code	Dış Çap O.D of Pipe mm	Boru Dış Nominal Bore Pipe Inches	Ölçü Tablosu / Dimension Table					
				L1	L2	H1	H2	S min.	Genişlik Width
A1	HBKASÜST0106	6		55	33	16	47	0,6	30
	HBKASÜST0108	8							
	HBKASÜST0110	10	1/8"						
	HBKASÜST0112	12							
	HBKASÜST0113,5	13,5	1/4"						
	HBKASÜST0114	14							
	HBKASÜST0115	15							
	HBKASÜST0116	16							
	HBKASÜST0117,2	17,2	3/8"						
HBKASÜST0118	18								
A2	HBKASÜST0220	20		70	45	24	63	0,6	30
	HBKASÜST0221,3	21,3	1/2"						
	HBKASÜST0222	22							
	HBKASÜST0225	25							
	HBKASÜST0226,9	26,9	3/4"						
	HBKASÜST0228	28							
	HBKASÜST0230	30							
A3	HBKASÜST032	32		85	60	30	75	0,6	30
	HBKASÜST333,7	33,7	1"						
	HBKASÜST0335	35							
	HBKASÜST0338	38							
	HBKASÜST0340	40							
	HBKASÜST0342	42	1-1/4"						
A4	HBKASÜST0444,5	44,5		115	90	44,5	107	2	45
	HBKASÜST0448,3	48,3	1-1/2"						
	HBKASÜST0450,8	50,8							
	HBKASÜST0455	55							
	HBKASÜST0457	57							
	HBKASÜST0460,3	60,3	2"						
	HBKASÜST0463,5	63,5							
	HBKASÜST0465	65							
	HBKASÜST0470	70							
A5	HBKASÜST0573	73		154	122	60	140	2	60
	HBKASÜST0576,1	76,1	2-1/2"						
	HBKASÜST0580	80							
	HBKASÜST0588,9	88,9	3"						
A6	HBKASÜST06101,6	101,6	3-1/2"	206	168	84	196	2	80
	HBKASÜST06108	108							
	HBKASÜST06114,3	114,3	4"						
A7	HBKASÜST07139,7	139,7	5"	251	205	100	230	3	90
	HBKASÜST07168,3	168,3	6"						
A8	HBKASÜST08219,1	219,1	8"	335	265	135	314	3	120



Keleççe Gvdesi

Clamp Body

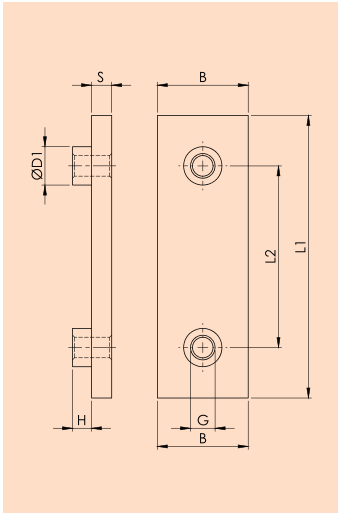


Grup Group	rn Kodu Product Code	Diř Çap O.D of Pipe mm	Boru Diř Nominal Bore Pipe Inches	lç Tablosu / Dimension Table				
				L1	L2	H1	S min.	Geniřlik Width
A1	HBKASGV0106	6		55	33	32	0,6	30
	HBKASGV0108	8						
	HBKASGV0110	10	1/8"					
	HBKASGV0112	12						
	HBKASGV0113,5	13,5	1/4"					
	HBKASGV0114	14						
	HBKASGV0115	15						
	HBKASGV0116	16						
	HBKASGV0117,2	17,2	3/8"					
HBKASGV0118	18							
A2	HBKASGV0220	20		70	45	48	0,6	30
	HBKASGV0221,3	21,3	1/2					
	HBKASGV0222	22						
	HBKASGV0225	25						
	HBKASGV0226,9	26,9	3/4"					
	HBKASGV0228	28						
	HBKASGV0230	30						
A3	HBKASGV032	32		85	60	50	0,6	30
	HBKASGV333,7	33,7	1"					
	HBKASGV0335	35						
	HBKASGV0338	38						
	HBKASGV0340	40						
	HBKASGV0342	42	1-1/4					
A4	HBKASGV0444,5	44,5		115	90	89	2	45
	HBKASGV0448,3	48,3	1-1/2					
	HBKASGV0450,8	50,8						
	HBKASGV0455	55						
	HBKASGV0457	57						
	HBKASGV0460,3	60,3	2"					
	HBKASGV0463,5	63,5						
	HBKASGV0465	65						
	HBKASGV0470	70						
A5	HBKASGV0573	73		154	122	120	2	60
	HBKASGV0576,1	76,1	2-1/2					
	HBKASGV0580	80						
	HBKASGV0588,9	88,9	3					
A6	HBKASGV06101,6	101,6	3-1/2	206	168	168	2	80
	HBKASGV06108	108						
	HBKASGV06114,3	114,3	4					
A7	HBKASGV07139,7	139,7	5	251	205	200	3	91
	HBKASGV07168,3	168,3	6					
A8	HBKASGV08219,1	219,1	8	335	265	270	3	120



Alt Lama
Weld Plate

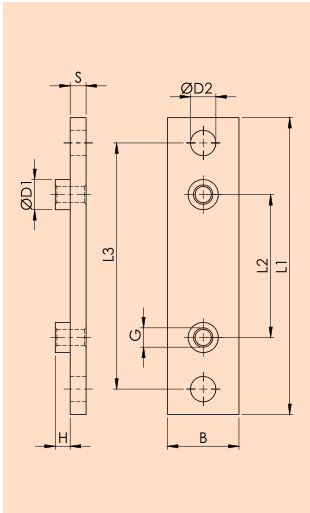
Grup Group	Ürün Kodu Product Code	Dış Çap O.D of Pipe mm	Boru Dış Nominal Bore Pipe Inches	Ölçü Tablosu / Dimension Table						
				L1	L2	H	S	G	B	ø D1
A1	ASKALA1	6		74	33	8	8	M10 3/8-16 UNC	30	18
		8								
		10	1/8"							
		12								
		13,5	1/4"							
		14								
		15								
		16								
		17,2	3/8"							
		18								
A2	ASKALA2	20		87	45	8	8	M10 3/8-16 UNC	30	18
		21,3	1/2"							
		22								
		25								
		26,9	3/4"							
		28								
		30								
A3	ASKALA3	32		100	60	8	8	M10 3/8-16 UNC	30	18
		33,7	1"							
		35								
		38								
		40								
		42	1-1/4"							
A4	ASKALA4	44,5		140	90	8	20	M12 7/16-14 UNC	45	20
		48,3	1-1/2"							
		50,8								
		55								
		57								
		60,3	2"							
		63,5								
		65								
70										
A5	ASKALA5	73		180	122	12	10	M16 5/8-11 UNC	60	24
		76,1	2-1/2"							
		80								
		88,9	3"							
A6	ASKALA6	101,6	3-1/2"	226	168	18	15	M20 3/4-10 UNC	80	30
		108								
		114,3	4"							
A7	ASKALA7	139,7	5"	270	205	21	15	M24 7/8-9 UNC	90	35
		168,3	6"							
A8	ASKALA8	219,1	8"	340	265	21	25	M30 1-1/8-7 UNC	120	45





Montaj Delikli
Alt Lama
Elongated Weld Plate

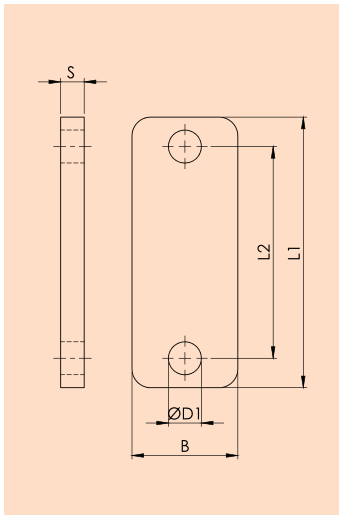
Grup Group	Ürün Kodu Product Code	Dış Çap O.D of Pipe mm	Boru Diş Nominal Bore Pipe Inches	Ölçü Tablosu / Dimension Table								
				L1	L2	L3	H	S	G	B	ø D1	ø D2
A1	ASMONKALA1	6		113	33	85	8	8	M10 3/8-16 UNC	30	18	13
		8										
		10	1/8"									
		12										
		13,5	1/4"									
		14										
		15										
		16										
		17,2	3/8"									
18												
A2	ASMONKALA2	20		125	45	97	8	8	M10 3/8-16 UNC	30	18	13
		21,3	1/2"									
		22										
		25										
		26,9	3/4"									
		28										
		30										
A3	ASMONKALA3	32		140	60	112	8	8	M10 3/8-16 UNC	30	18	13
		33,7	1"									
		35										
		38										
		40										
42	1-1/4"											
A4	ASMONKALA4	44,5		187	90	155	8	10	M12 7/16-14 UNC	45	20	16
		48,3	1-1/2"									
		50,8										
		55										
		57										
		60,3	2"									
		63,5										
		65										
70												
A5	ASMONKALA5	73		238	122	198	12	10	M16 5/8-11 UNC	60	24	21
		76,1	2-1/2"									
		80										
		88,9	3"									
A6	ASMONKALA6	101,6	3-1/2"	309	168	259	18	15	M20 3/4-10 UNC	80	30	26
		108										
		114,3	4"									
A7	ASMONKALA7	139,7	5"	370	205	310	21	15	M24 7/8-9 UNC	90	35	31
		168,3	6"									
A8	ASMONKALA8	219,1	8"	440	265	380	21	25	M30 1-1/8-7 UNC	120	45	31





Üst Lama

Cover Plate



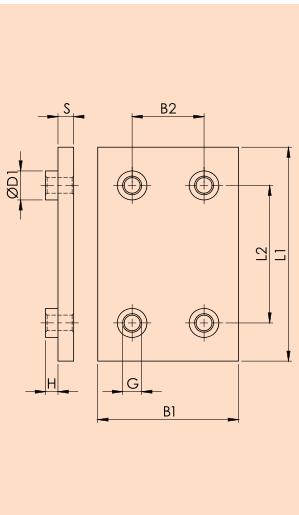
Grup Group	Ürün Kodu Product Code	Dış Çap O.D of Pipe mm	Boru Diş Nominal Bore Pipe Inches	Ölçü Tablosu / Dimension Table				
				L1	L2	B	S	ø D1
A1	ASKÜLA1	6		55	33	30	8	11
		8						
		10	1/8"					
		12						
		13,5	1/4"					
		14						
		15						
		16						
		17,2	3/8"					
18								
A2	ASKÜLA2	20		70	45	30	8	11
		21,3	1/2"					
		22						
		25						
		26,9	3/4"					
		28						
30								
A3	ASKÜLA3	32		85	60	30	8	11
		33,7	1"					
		35						
		38						
		40						
42	1-1/4"							
A4	ASKÜLA4	44,5		115	90	45	10	14
		48,3	1-1/2"					
		50,8						
		55						
		57						
		60,3	2"					
		63,5						
		65						
70								
A5	ASKÜLA5	73		154	122	60	10	19
		76,1	2-1/2"					
		80						
		88,9	3"					
A6	ASKÜLA6	101,6	3-1/2"	206	168	80	15	22
		108						
		114,3	4"					
A7	ASKÜLA7	139,7	5"	251	205	90	15	26
		168,3	6"					
A8	ASKÜLA8	219,1	8"	340	265	120	25	35



Sırt Sırt Kelepçe İçin Alt Lama

Weld Plate For Double Clamps

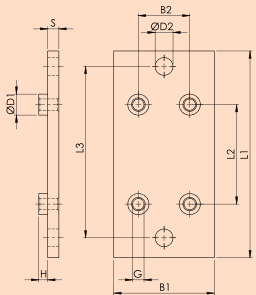
Grup Group	Ürün Kodu Product Code	Dış Çap O.D of Pipe mm	Boru Dış Nominal Bore Pipe Inches	Ölçü Tablosu / Dimension Table							
				L1	L2	B1	B2	H	S	G	ø D1
A1	ASSSKALA1	6		74	33	60	31	8	8	M10 3/8-16 UNC	18
		8									
		10	1/8"								
		12									
		13,5	1/4"								
		14									
		15									
		16									
		17,2	3/8"								
18											
A2	ASSSKALA2	20		86	45	60	31	8	8	M10 3/8-16 UNC	18
		21,3	1/2"								
		22									
		25									
		26,9	3/4"								
		28									
		30									
A3	ASSSKALA3	32		100	60	60	31	8	8	M10 3/8-16 UNC	18
		33,7	1"								
		35									
		38									
		40									
42	1-1/4"										
A4	ASSSKALA4	44,5		140	90	90	46	8	10	M12 7/16-14 UNC	20
		48,3	1-1/2"								
		50,8									
		55									
		57									
		60,3	2"								
		63,5									
		65									
70											
A5	ASSSKALA5	73		180	122	120	61	12	10	M16 5/8-11 UNC	24
		76,1	2-1/2"								
		80									
		88,9	3"								
A6	ASSSKALA6	101,6	3-1/2"	226	168	160	81	18	15	M24 3/4-10 UNC	30
		108									
		114,3	4"								
A7	ASSSKALA7	139,7	5"	270	205	182	93	21	15	M24 7/8-9 UNC	35
		168,3	6"								
A8	ASSSKALA8	219,1	8"	340	265	240	122	21	25	M30 1-1/8-7 UNC	45





Sırt Sırta Montaj
Delikli Alt Lama
Elongated Weld Plate For
Double Clamps

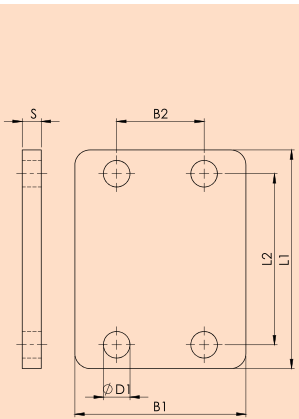
Grup Group	Ürün Kodu Product Code	Dış Çap O.D of Pipe mm	Boru Diş Nominal Bore Pipe Inches	Ölçü Tablosu / Dimension Table									
				L1	L2	L3	B1	B2	H	S	G	ø D1	ø D2
A1	ASSSMONKALA1	6		113	33	85	60	31	8	8	M10 3/8-16 UNC	18	13
		8											
		10	1/8"										
		12											
		13,5	1/4"										
		14											
		15											
		16											
		17,2	3/8"										
18													
A2	ASSSMONKALA2	20		125	45	97	60	31	8	8	M10 3/8-16 UNC	18	13
		21,3	1/2"										
		22											
		25											
		26,9	3/4"										
		28											
		30											
A3	ASSSMONKALA3	32		140	60	112	60	31	8	8	M10 3/8-16 UNC	18	13
		33,7	1"										
		35											
		38											
		40											
42	1-1/4"												
A4	ASSSMONKALA4	44,5		187	90	155	90	46	8	10	M12 7/16-14 UNC	20	16
		48,3	1-1/2"										
		50,8											
		55											
		57											
		60,3	2"										
		63,5											
		65											
70													
A5	ASSSMONKALA5	73		238	122	198	120	61	12	10	M16 5/8-11 UNC	24	21
		76,1	2-1/2"										
		80											
		88,9	3"										
A6	ASSSMONKALA6	101,6	3-1/2"	309	168	259	160	81	18	15	M20 3/4-10 UNC	30	26
		108											
		114,3	4"										
A7	ASSSMONKALA7	139,7	5"	370	205	310	182	93	21	15	M24 7/8-9 UNC	35	31
		168,3	6"										
A8	ASSSMONKALA8	219,1	8"	440	265	380	240	124	21	25	M30 1-1/8-7 UNC	45	31





Sırt Sırta Üst Lama
Cover Plate For Double Clamps

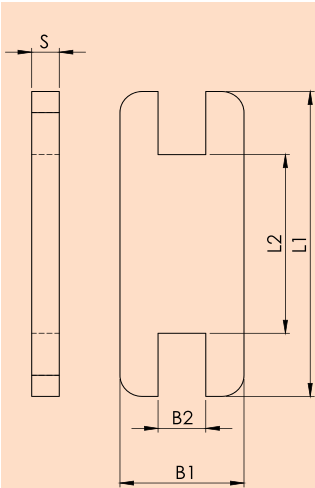
Grup Group	Ürün Kodu Product Code	Dış Çap O.D of Pipe mm	Boru Dış Nominal Bore Pipe Inches	Ölçü Tablosu / Dimension Table					
				L1	L2	B1	B2	S	øD1
A1	ASSSKÜLA1	6		55	33	60	31	8	11
		8							
		10	1/8"						
		12							
		13,5	1/4"						
		14							
		15							
		16							
17,2	3/8"								
18									
A2	ASSSKÜLA2	20		70	45	60	31	8	11
		21,3	1/2						
		22							
		25							
		26,9	3/4"						
		28							
30									
A3	ASSSKÜLA3	32		85	60	60	31	8	11
		33,7	1"						
		35							
		38							
		40							
42	1-1/4								
A4	ASSSKÜLA4	44,5		115	90	90	46	10	14
		48,3	1-1/2						
		50,8							
		55							
		57							
		60,3	2"						
		63,5							
		65							
70									
A5	ASSSKÜLA5	73		154	122	120	61	10	19
		76,1	2-1/2						
		80							
		88,9	3						
A6	ASSSKÜLA6	101,6	3-1/2	206	168	160	81	15	22
		108							
		114,3	4						
A7	ASSSKÜLA7	139,7	5	251	205	182	93	15	26
		168,3	6						
A8	ASSSKÜLA8	219,1	8	320	265	240	122	25	35



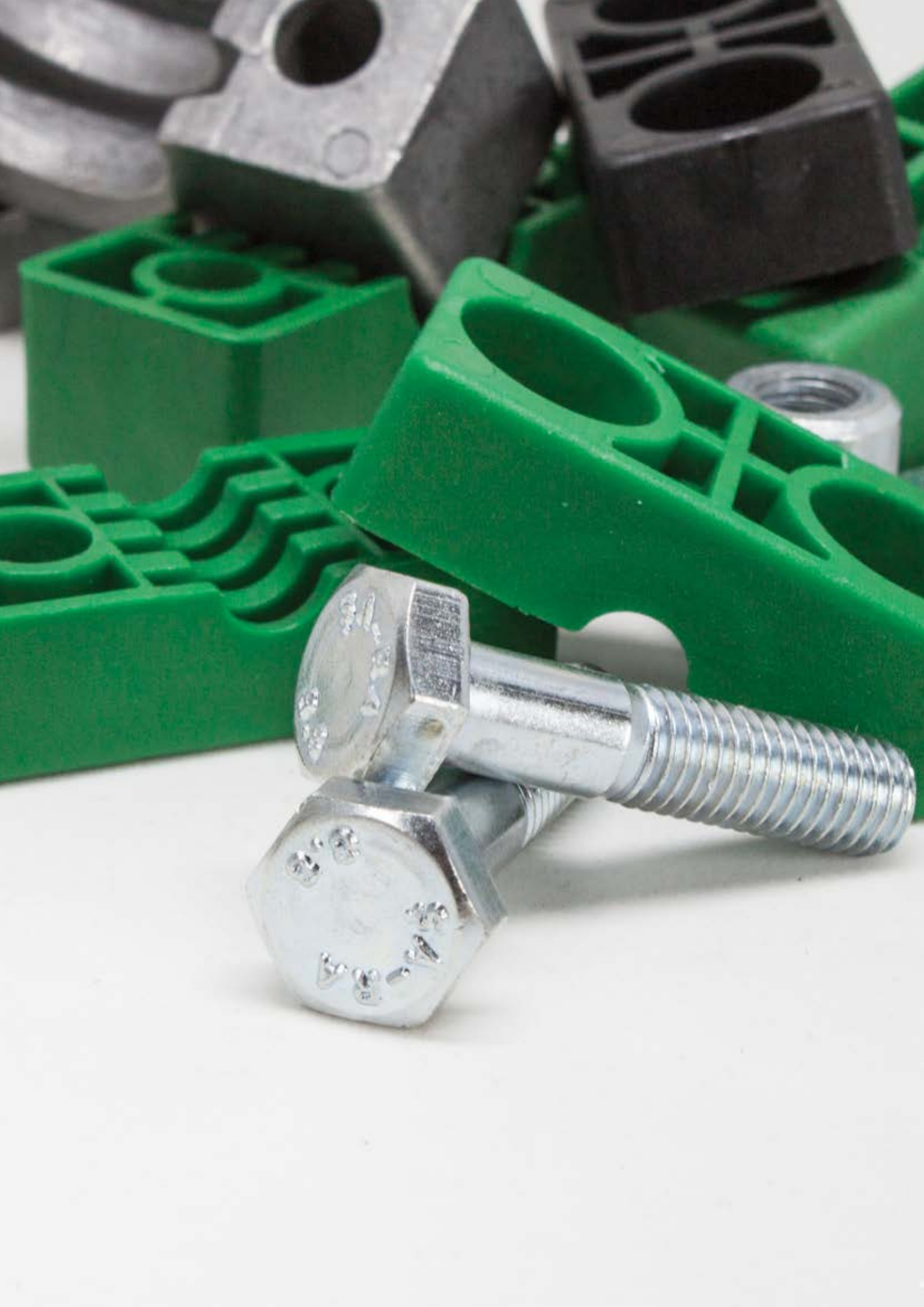


Ara Bađlantı Plakası

Safety Locking Plate



Grup Group	Ürün Kodu Product Code	Dış Çap O.D of Pipe mm	Boru Diş Nominal Bore Pipe Inches	Ölçü Tablosu / Dimension Table				
				L1	L2	B1	B2	S
A1	ABLASA1	6		56	13,5	30	15	8
		8						
		10	1/8"					
		12						
		13,5	1/4"					
		14						
		15						
		16						
		17,2	3/8"					
18								
A2	ABLASA2	20		70	25	30	15	8
		21,3	1/2"					
		22						
		25						
		26,9	3/4"					
		28						
30								
A3	ABLASA3	32		85	40	30	15	8
		33,7	1"					
		35						
		38						
		40						
42	1-1/4"							
A4	ABLASA4	44,5		116	68	45	17	10
		48,3	1-1/2"					
		50,8						
		55						
		57						
		60,3	2"					
		63,5						
		65						
		70						
A5	ABLASA5	73		153	97	60	21	10
		76,1	2-1/2"					
		80						
		88,9	3"					
A6	ABLASA6	101,6	3-1/2"	206	130	80	27	15
		108						
		114,3	4"					
A7	ABLASA7	139,7	5"	251	166	90	30	15
		168,3	6"					
A8	ABLASA8	219,1	8"	325	205	120	49	25

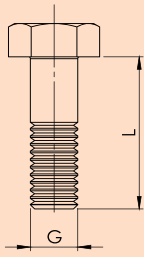




**Altı Kőşe
Bařlı Civata**
Hexagon Head Bolt



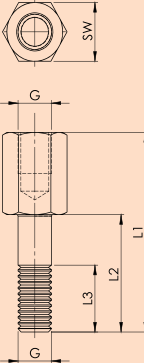
ABASCVTA



**Ara Bađlantı
Civatası**
Stacking Bolt



ABCASA



Grup Group	Ürün Kodu Product Code	Dış Çap O.D of Pipe mm	Boru Dış Nominal Bore Pipe Inches	Ölçü Tablosu / Dimension Table		Ürün Kodu Product Code	Ölçü Tablosu / Dimension Table				
				G x L			L1	L2	L3 min.	G	SW
A1	ABASCVTA1	6		M10 x 45 3/8 - 16 UNC x 1-3/4	ABCASA1	49	24	15	M10 3/8-16 UNC	15	
		8									
		10	1/8"								
		12									
		13,5	1/4"								
		14									
		15									
		16									
		17,2	3/8"								
		18									
A2	ABASCVTA2	20		M10 x 60 3/8 - 16 UNC x 2 - 1/4	ABCASA2	65	40	15	M10 3/8-16 UNC	15	
		21,3	1/2"								
		22									
		25									
		26,9	3/4"								
		28									
		30									
A3	ABASCVTA3	32		M10 x 70 3/8 - 16 UNC x 2-3/4	ABCASA3	74	50	15	M10 3/8-16 UNC	15	
		33,7	1"								
		35									
		38									
		40									
		42	1-1/4"								
A4	ABASCVTA4	44,5		M12 x 100 7/6 - 14 UNC x 4	ABCASA4	108	81	18	M12 7/16- 14 UNC	17	
		48,3	1-1/2"								
		50,8									
		55									
		57									
		60,3	2"								
		63,5									
		65									
		70									
A5	ABASCVTA5	73		M16 x 130 5/8 - 11 UNC x 5 - 1/4	ABCASA5	144	110	24	M16 5/8-11 UNC	21	
		76,1	2-1/2"								
		80									
		88,9	3"								
A6	ABASCVTA6	101,6	3-1/2"	M20 x 190 3/4 - 10 UNC x 7 - 1/2	ABCASA6	200	151	30	M20 3/4-10 UNC	27	
		108									
		114,3	4"								
A7	ABASCVTA7	139,7	5"	M24 x 220 7/8-9 UNC x 8 - 3/4	ABCASA7	240	180	50	M24 7/8-9 UNC	30	
		168,3	6"								
A8	ABASCVTA8	219,1	8"	M30 x 300 1-1/8 - 7 UNC x 12	ABCASA8	331	256	62	M30 1-1/8-7 UNC	46	



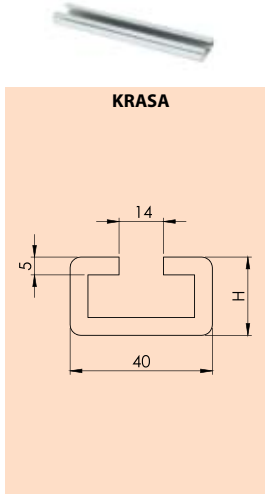
Ađır Seri- Parçalar

Heavy Series - Components



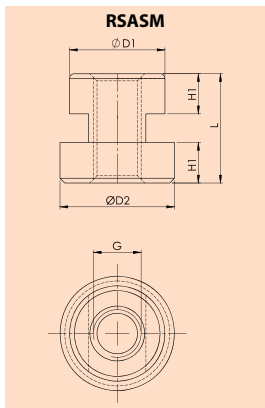
Montaj Rayı

Mounting Rail



Ray Somunu

Rail Nut



Grup Group	Ürün Kodu Product Code	Dış Ça	Boru Dış Nominal Bore Pipe Inches	Ölçü Tablosu / Dimension Table		Ürün Kodu Product Code	Ölçü Tablosu / Dimension Table				
				H	Boy / Length		L	H1	ø D1	ø D2	G
A1	KRASA1	6		22	1 m 2 m	RSASM10	21	7,5	17,8	24	M10 3/8-16 UNC
		8									
		10	1/8								
		12									
		13,5	1/4								
		14									
		15									
		16									
		17,2	3/8								
A2	KRASA2	18		22	1 m 2 m	RSASM10	21	7,5	17,8	24	M10 3/8-16 UNC
		20									
		21,3	1/2								
		22									
		25									
		26,9	3/4								
A3	KRASA3	28		22	1 m 2 m	RSASM10	21	7,5	17,8	24	M10 3/8-16 UNC
		30									
		32									
		33,7	1								
		35									
A4	KRASA4	38		22	1 m 2 m	RSASM12	23	8,5	19,8	24	M12 7/16-14 UNC
		40									
		42	1-1/4								
		44,5									
		48,3	1-1/2								
		50,8									
		55									
		57									
		60,3	2								
63,5											
65											
70											