



## Aluminyum Standart Seri

*Aluminium Standard Series*

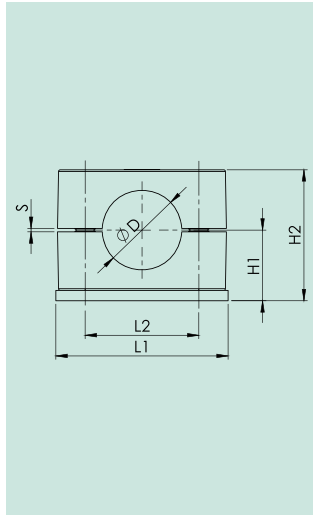






## Aluminyum Komple Keleçe

Aluminium Complete Clamp

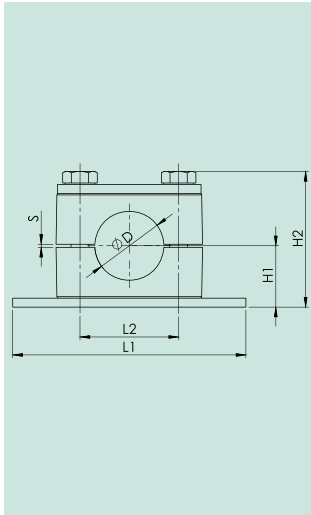


| Grup<br>Group | Ürün Kodu<br>Product Code | Diş Çap<br>O.D of Pipe<br>mm | Boru Diş<br>Nominal Bore Pipe<br>Inches | Ölçü Tablosu / Dimension Table |    |      |    |        |
|---------------|---------------------------|------------------------------|---|--------------------------------|----|------|----|--------|
|               |                           |                              |   | L1                             | L2 | H1   | H2 | S min. |
| G1            | HBKALSTTL0106             | 6                            |   | 37                             | 20 | 16,5 | 30 | 0,4    |
|               | HBKALSTTL0108             | 8                            |   |                                |    |      |    |        |
|               | HBKALSTTL0110             | 10                           | 1/8                                     |                                |    |      |    |        |
|               | HBKALSTTL0112             | 12                           |   |                                |    |      |    |        |
| G2            | HBKALSTTL0212.7           | 12.7                         |   | 42                             | 26 | 19,5 | 36 | 0,6    |
|               | HBKALSTTL0215             | 15                           |   |                                |    |      |    |        |
|               | HBKALSTTL0216             | 16                           |   |                                |    |      |    |        |
|               | HBKALSTTL0217.2           | 17.2                         | 3/8                                     |                                |    |      |    |        |
|               | HBKALSTTL0218             | 18                           |   |                                |    |      |    |        |
| G3            | HBKALSTTL0320             | 20                           |   | 50                             | 33 | 21   | 39 | 0,6    |
|               | HBKALSTTL0321.3           | 21.3                         | 1/2                                     |                                |    |      |    |        |
|               | HBKALSTTL0325             | 25                           |   |                                |    |      |    |        |
| G4            | HBKALSTTL0426.9           | 26.9                         | 3/4                                     | 63                             | 40 | 24   | 45 | 0,6    |
|               | HBKALSTTL0430             | 30                           |   |                                |    |      |    |        |
| G5            | HBKALSTTL0533.7           | 33.7                         | 1                                       | 74                             | 52 | 30   | 58 | 0,8    |
|               | HBKALSTTL0535             | 35                           |   |                                |    |      |    |        |
|               | HBKALSTTL0538             | 38                           |   |                                |    |      |    |        |
|               | HBKALSTTL0542             | 42                           | 1-1/4                                   |                                |    |      |    |        |
| G6            | HBKALSTTL0644.5           | 44.5                         |   | 88                             | 66 | 36   | 69 | 0,8    |
|               | HBKALSTTL0648.3           | 48,3                         | 1-1/2                                   |                                |    |      |    |        |
|               | HBKALSTTL0650.8           | 50,8                         |   |                                |    |      |    |        |



### Aluminyum Çift Lamalı Keleçe

Aluminium Double Plated Clamp

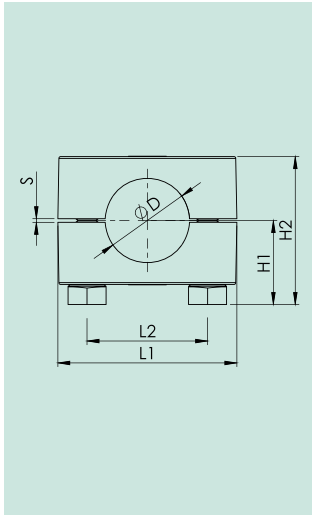


| Grup<br>Group | Ürün Kodu<br>Product Code | Dış Çap<br>O.D of Pipe<br>mm | Boru Diş<br>Nominal Bore Pipe<br>Inches | Ölçü Tablosu / Dimension Table |    |      |    |        |
|---------------|---------------------------|------------------------------|---|--------------------------------|----|------|----|--------|
|               |                           |                              |   | L1                             | L2 | H1   | H2 | S min. |
| G1            | HBKALSTÇL0106             | 6                            |   | 37                             | 20 | 16,5 | 37 | 0,4    |
|               | HBKALSTÇL0108             | 8                            |   |                                |    |      |    |        |
|               | HBKALSTÇL0110             | 10                           | 1/8                                     |                                |    |      |    |        |
|               | HBKALSTÇL0112             | 12                           |   |                                |    |      |    |        |
| G2            | HBKALSTÇL0212.7           | 12.7                         |   | 42                             | 26 | 19,5 | 43 | 0,6    |
|               | HBKALSTÇL0215             | 15                           |   |                                |    |      |    |        |
|               | HBKALSTÇL0216             | 16                           |   |                                |    |      |    |        |
|               | HBKALSTÇL0217.2           | 17.2                         | 3/8                                     |                                |    |      |    |        |
|               | HBKALSTÇL0218             | 18                           |   |                                |    |      |    |        |
| G3            | HBKALSTÇL0320             | 20                           |   | 50                             | 33 | 21   | 46 | 0,6    |
|               | HBKALSTÇL0321.3           | 21.3                         | 1/2                                     |                                |    |      |    |        |
|               | HBKALSTÇL0325             | 25                           |   |                                |    |      |    |        |
| G4            | HBKALSTÇL0426.9           | 26.9                         | 3/4                                     | 63                             | 40 | 24   | 52 | 0,6    |
|               | HBKALSTÇL0430             | 30                           |   |                                |    |      |    |        |
| G5            | HBKALSTÇL0533.7           | 33.7                         | 1                                       | 74                             | 52 | 30   | 65 | 0,8    |
|               | HBKALSTÇL0535             | 35                           |   |                                |    |      |    |        |
|               | HBKALSTÇL0538             | 38                           |   |                                |    |      |    |        |
|               | HBKALSTÇL0542             | 42                           | 1-1/4                                   |                                |    |      |    |        |
| G6            | HBKALSTÇL0644.5           | 44.5                         |   | 88                             | 66 | 36   | 76 | 0,8    |
|               | HBKALSTÇL0648.3           | 48,3                         | 1-1/2                                   |                                |    |      |    |        |
|               | HBKALSTÇL0650.8           | 50,8                         |   |                                |    |      |    |        |



## Aluminyum Raya Uyumlu Kelepçe

Aluminium Clamp With Rail Nut

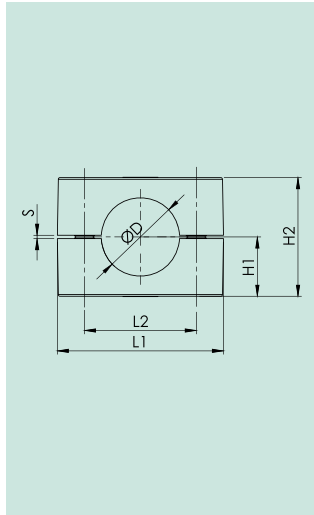


| Grup<br>Group | Ürün Kodu<br>Product Code | Diş Çap<br>O.D of Pipe<br>mm | Boru Diş<br>Nominal Bore Pipe<br>Inches | Ölçü Tablosu / Dimension Table |    |      |    |        |
|---------------|---------------------------|------------------------------|---|--------------------------------|----|------|----|--------|
|               |                           |                              |   | L1                             | L2 | H1   | H2 | S min. |
| G1            | HBKALSTRAY0106            | 6                            |   | 37                             | 20 | 20,5 | 34 | 0,4    |
|               | HBKALSTRAY0108            | 8                            |   |                                |    |      |    |        |
|               | HBKALSTRAY0110            | 10                           | 1/8                                     |                                |    |      |    |        |
|               | HBKALSTRAY0112            | 12                           |   |                                |    |      |    |        |
| G2            | HBKALSTRAY0212.7          | 12.7                         |   | 42                             | 26 | 23,5 | 40 | 0,6    |
|               | HBKALSTRAY0215            | 15                           |   |                                |    |      |    |        |
|               | HBKALSTRAY0216            | 16                           |   |                                |    |      |    |        |
|               | HBKALSTRAY0217.2          | 17.2                         | 3/8                                     |                                |    |      |    |        |
|               | HBKALSTRAY0218            | 18                           |   |                                |    |      |    |        |
| G3            | HBKALSTRAY0320            | 20                           |   | 50                             | 33 | 25   | 43 | 0,6    |
|               | HBKALSTRAY0321.3          | 21.3                         | 1/2                                     |                                |    |      |    |        |
|               | HBKALSTRAY0325            | 25                           |   |                                |    |      |    |        |
| G4            | HBKALSTRAY0426.9          | 26.9                         | 3/4                                     | 59                             | 40 | 28   | 49 | 0,6    |
|               | HBKALSTRAY0430            | 30                           |   |                                |    |      |    |        |
| G5            | HBKALSTRAY0533.7          | 33.7                         | 1                                       | 70                             | 52 | 33   | 62 | 0,8    |
|               | HBKALSTRAY0535            | 35                           |   |                                |    |      |    |        |
|               | HBKALSTRAY0538            | 38                           |   |                                |    |      |    |        |
|               | HBKALSTRAY0542            | 42                           | 1-1/4                                   |                                |    |      |    |        |
| G6            | HBKALSTRAY0644.5          | 44.5                         |   | 84                             | 66 | 40   | 73 | 0,8    |
|               | HBKALSTRAY0648.3          | 48,3                         | 1-1/2                                   |                                |    |      |    |        |
|               | HBKALSTRAY0650.8          | 50,8                         |   |                                |    |      |    |        |



## Aluminyum Kelepçe Gövdesi

Aluminium Clamp Body



| Grup<br>Group | Ürün Kodu<br>Product Code | Diş Çap<br>O.D of Pipe<br>mm | Boru Diş<br>Nominal Bore Pipe<br>Inches | Ölçü Tablosu / Dimension Table |    |      |    |        |
|---------------|---------------------------|------------------------------|---|--------------------------------|----|------|----|--------|
|               |                           |                              |   | L1                             | L2 | H1   | H2 | S min. |
| G1            | HBKALSTGÖV0106            | 6                            |   | 37                             | 20 | 13,5 | 27 | 0,4    |
|               | HBKALSTGÖV0108            | 8                            |   |                                |    |      |    |        |
|               | HBKALSTGÖV0110            | 10                           | 1/8                                     |                                |    |      |    |        |
|               | HBKALSTGÖV0112            | 12                           |   |                                |    |      |    |        |
| G2            | HBKALSTGÖV0212.7          | 12.7                         |   | 42                             | 26 | 16,5 | 33 | 0,6    |
|               | HBKALSTGÖV0215            | 15                           |   |                                |    |      |    |        |
|               | HBKALSTGÖV0216            | 16                           |   |                                |    |      |    |        |
|               | HBKALSTGÖV0217.2          | 17.2                         | 3/8                                     |                                |    |      |    |        |
|               | HBKALSTGÖV0218            | 18                           |   |                                |    |      |    |        |
| G3            | HBKALSTGÖV0320            | 20                           |   | 50                             | 33 | 18   | 36 | 0,6    |
|               | HBKALSTGÖV0321.3          | 21.3                         | 1/2                                     |                                |    |      |    |        |
|               | HBKALSTGÖV0325            | 25                           |   |                                |    |      |    |        |
| G4            | HBKALSTGÖV0426.9          | 26.9                         | 3/4                                     | 59                             | 40 | 21   | 42 | 0,6    |
|               | HBKALSTGÖV0430            | 30                           |   |                                |    |      |    |        |
| G5            | HBKALSTGÖV0533.7          | 33.7                         | 1                                       | 70                             | 52 | 27   | 55 | 0,8    |
|               | HBKALSTGÖV0535            | 35                           |   |                                |    |      |    |        |
|               | HBKALSTGÖV0538            | 38                           |   |                                |    |      |    |        |
|               | HBKALSTGÖV0542            | 42                           | 1-1/4                                   |                                |    |      |    |        |
| G6            | HBKALSTGÖV0644.5          | 44.5                         |   | 84                             | 66 | 33   | 66 | 0,8    |
|               | HBKALSTGÖV0648.3          | 48,3                         | 1-1/2                                   |                                |    |      |    |        |
|               | HBKALSTGÖV0650.8          | 50,8                         |   |                                |    |      |    |        |



## Aluminyum Ağır Seri

*Aluminium Heavy Series*



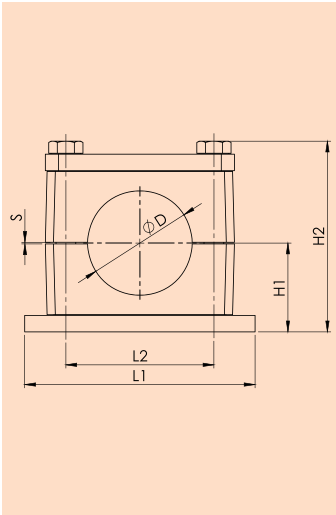






## Aluminyum Komple Kelepçe

Al Complete Clamp



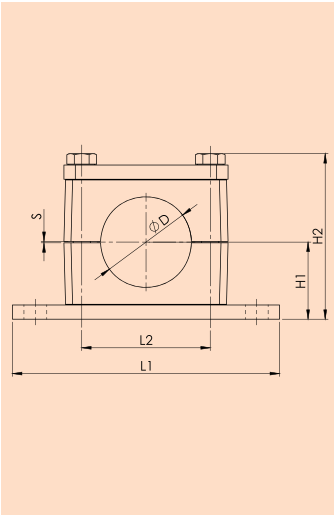
| Grup<br>Group | Ürün Kodu<br>Product Code | Dış Çap<br>O.D of Pipe<br>mm | Boru Dış<br>Nominal Bore Pipe<br>Inches | Ölçü Tablosu / Dimension Table |     |      |     |        |                   |
|---------------|---------------------------|------------------------------|---|--------------------------------|-----|------|-----|--------|-------------------|
|               |                           |                              |   | L1                             | L2  | H1   | H2  | S min. | Genişlik<br>Width |
| A1            | HBKALAS0106               | 6                            |   | 74                             | 33  | 24   | 55  | 0,6    | 30                |
|               | HBKALAS0108               | 8                            |   |                                |     |      |     |        |                   |
|               | HBKALAS0110               | 10                           | 1/8"                                    |                                |     |      |     |        |                   |
|               | HBKALAS0112               | 12                           |   |                                |     |      |     |        |                   |
|               | HBKALAS0113,5             | 13,5                         | 1/4"                                    |                                |     |      |     |        |                   |
|               | HBKALAS0114               | 14                           |   |                                |     |      |     |        |                   |
|               | HBKALAS0115               | 15                           |   |                                |     |      |     |        |                   |
|               | HBKALAS0116               | 16                           |   |                                |     |      |     |        |                   |
|               | HBKALAS0117,2             | 17,2                         | 3/8"                                    |                                |     |      |     |        |                   |
| HBKALAS0118   | 18                        |                              |   |                                |     |      |     |        |                   |
| A2            | HBKALAS0220               | 20                           |   | 87                             | 45  | 32   | 71  | 0,6    | 30                |
|               | HBKALAS0221,3             | 21,3                         | 1/2"                                    |                                |     |      |     |        |                   |
|               | HBKALAS0222               | 22                           |   |                                |     |      |     |        |                   |
|               | HBKALAS0225               | 25                           |   |                                |     |      |     |        |                   |
|               | HBKALAS0226,9             | 26,9                         | 3/4"                                    |                                |     |      |     |        |                   |
|               | HBKALAS0228               | 28                           |   |                                |     |      |     |        |                   |
|               | HBKALAS0230               | 30                           |   |                                |     |      |     |        |                   |
| A3            | HBKALAS032                | 32                           |   | 100                            | 60  | 38   | 83  | 0,6    | 30                |
|               | HBKALAS333,7              | 33,7                         | 1"                                      |                                |     |      |     |        |                   |
|               | HBKALAS0335               | 35                           |   |                                |     |      |     |        |                   |
|               | HBKALAS0338               | 38                           |   |                                |     |      |     |        |                   |
|               | HBKALAS0342               | 42                           | 1-1/4"                                  |                                |     |      |     |        |                   |
| A4            | HBKALAS0444,5             | 44,5                         |   | 140                            | 90  | 54,5 | 117 | 2      | 45                |
|               | HBKALAS0448,3             | 48,3                         | 1-1/2"                                  |                                |     |      |     |        |                   |
|               | HBKALAS0450,8             | 50,8                         |   |                                |     |      |     |        |                   |
|               | HBKALAS0455               | 55                           |   |                                |     |      |     |        |                   |
|               | HBKALAS0457               | 57                           |   |                                |     |      |     |        |                   |
|               | HBKALAS0460,3             | 60,3                         | 2"                                      |                                |     |      |     |        |                   |
|               | HBKALAS0463,5             | 63,5                         |   |                                |     |      |     |        |                   |
|               | HBKALAS0465               | 65                           |   |                                |     |      |     |        |                   |
| HBKALAS0470   | 70                        |                              |   |                                |     |      |     |        |                   |
| A5            | HBKALAS0573               | 73                           |   | 180                            | 122 | 70   | 150 | 2      | 60                |
|               | HBKALAS0576,1             | 76,1                         | 2-1/2"                                  |                                |     |      |     |        |                   |
|               | HBKALAS0580               | 80                           |   |                                |     |      |     |        |                   |
|               | HBKALAS0588,9             | 88,9                         | 3"                                      |                                |     |      |     |        |                   |
| A6            | HBKALAS06101,6            | 101,6                        | 3-1/2"                                  | 226                            | 168 | 99   | 211 | 2      | 80                |
|               | HBKALAS06108              | 108                          |   |                                |     |      |     |        |                   |
|               | HBKALAS05114,3            | 114,3                        | 4"                                      |                                |     |      |     |        |                   |
| A7            | HBKALAS07139,7            | 139,7                        | 5"                                      | 270                            | 205 | 115  | 245 | 3      | 90                |
|               | HBKALAS07168,3            | 168,3                        | 6"                                      |                                |     |      |     |        |                   |
| A8            | HBKALAS08219,1            | 219,1                        | 8"                                      | 340                            | 265 | 160  | 339 | 3      | 120               |

## Aluminyum Ağır Seri Aluminium Heavy Series



### Aluminyum Montaj Delikli Kelepçe

Al Complete Clamp With Elongated  
Weld Plate

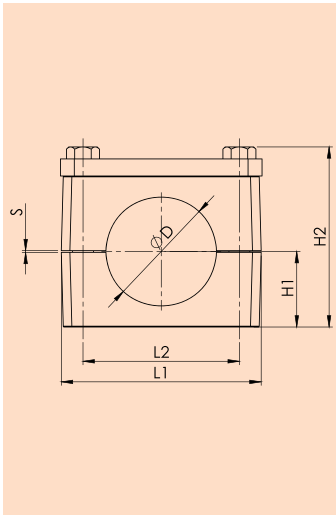


| Grup<br>Group | Ürün Kodu<br>Product Code | Dış Çap<br>O.D of Pipe<br>mm | Boru Dış<br>Nominal Bore Pipe<br>Inches | Ölçü Tablosu / Dimension Table |     |    |      |        |                   |    |
|---------------|---------------------------|------------------------------|---|--------------------------------|-----|----|------|--------|-------------------|----|
|               |                           |                              |   | L1                             | L2  | H1 | H2   | S min. | Genişlik<br>Width |    |
| A1            | HBKALASMNDL0106           | 6                            |   |                                |     |    |      |        |                   |    |
|               | HBKALASMNDL0108           | 8                            |   |                                |     |    |      |        |                   |    |
|               | HBKALASMNDL0110           | 10                           | 1/8"                                    |                                |     |    |      |        |                   |    |
|               | HBKALASMNDL0112           | 12                           |   |                                |     |    |      |        |                   |    |
|               | HBKALASMNDL0113,5         | 13,5                         | 1/4"                                    |                                |     |    |      |        |                   |    |
|               | HBKALASMNDL0114           | 14                           |   |                                | 113 | 33 | 24   | 55     | 0,6               | 30 |
|               | HBKALASMNDL0115           | 15                           |   |                                |     |    |      |        |                   |    |
|               | HBKALASMNDL0116           | 16                           |   |                                |     |    |      |        |                   |    |
|               | HBKALASMNDL0117,2         | 17,2                         | 3/8"                                    |                                |     |    |      |        |                   |    |
|               | HBKALASMNDL0118           | 18                           |   |                                |     |    |      |        |                   |    |
| A2            | HBKALASMNDL0220           | 20                           |   |                                |     |    |      |        |                   |    |
|               | HBKALASMNDL0221,3         | 21,3                         | 1/2"                                    |                                |     |    |      |        |                   |    |
|               | HBKALASMNDL0222           | 22                           |   |                                |     |    |      |        |                   |    |
|               | HBKALASMNDL0225           | 25                           |   |                                | 125 | 45 | 32   | 71     | 0,6               | 30 |
|               | HBKALASMNDL0226,9         | 26,9                         | 3/4"                                    |                                |     |    |      |        |                   |    |
|               | HBKALASMNDL0228           | 28                           |   |                                |     |    |      |        |                   |    |
|               | HBKALASMNDL0230           | 30                           |   |                                |     |    |      |        |                   |    |
| A3            | HBKALASMNDL032            | 32                           |   |                                |     |    |      |        |                   |    |
|               | HBKALASMNDL333,7          | 33,7                         | 1"                                      |                                |     |    |      |        |                   |    |
|               | HBKALASMNDL0335           | 35                           |   |                                | 140 | 60 | 38   | 83     | 0,6               | 30 |
|               | HBKALASMNDL0338           | 38                           |   |                                |     |    |      |        |                   |    |
|               | HBKALASMNDL0342           | 42                           | 1-1/4"                                  |                                |     |    |      |        |                   |    |
| A4            | HBKALASMNDL0444,5         | 44,5                         |   |                                |     |    |      |        |                   |    |
|               | HBKALASMNDL0448,3         | 48,3                         | 1-1/2"                                  |                                |     |    |      |        |                   |    |
|               | HBKALASMNDL0450,8         | 50,8                         |   |                                |     |    |      |        |                   |    |
|               | HBKALASMNDL0455           | 55                           |   |                                |     |    |      |        |                   |    |
|               | HBKALASMNDL0457           | 57                           |   |                                | 187 | 90 | 54,5 | 117    | 2                 | 45 |
|               | HBKALASMNDL0460,3         | 60,3                         | 2"                                      |                                |     |    |      |        |                   |    |
|               | HBKALASMNDL0463,5         | 63,5                         |   |                                |     |    |      |        |                   |    |
|               | HBKALASMNDL0465           | 65                           |   |                                |     |    |      |        |                   |    |
|               | HBKALASMNDL0470           | 70                           |   |                                |     |    |      |        |                   |    |
| A5            | HBKALASMNDL0576,1         | 76,1                         | 2-1/2"                                  |                                |     |    |      |        |                   |    |
|               | HBKALASMNDL0588,9         | 88,9                         | 3"                                      | 238                            | 122 | 70 | 150  | 2      | 60                |    |
| A6            | HBKALASMNDL06114,3        | 114,3                        | 4"                                      | 309                            | 168 | 99 | 211  | 2      | 80                |    |

Aluminyum Ağır Seri  
Aluminium Heavy Series



Aluminyum Ara  
Plakalı Kelepçe  
Al Clamp Upper Set

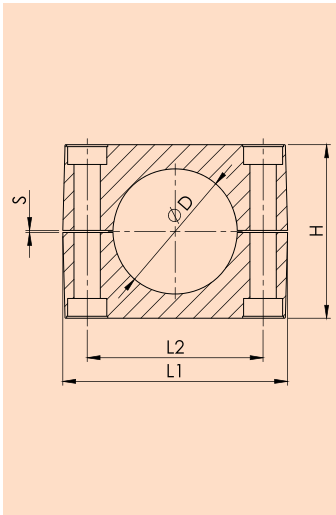


| Grup<br>Group | Ürün Kodu<br>Product Code | Dış Çap<br>O.D of Pipe<br>mm | Boru Diş<br>Nominal Bore Pipe<br>Inches | Ölçü Tablosu / Dimension Table |     |      |     |        |                   |
|---------------|---------------------------|------------------------------|---|--------------------------------|-----|------|-----|--------|-------------------|
|               |                           |                              |   | L1                             | L2  | H1   | H2  | S min. | Genişlik<br>Width |
| A1            | HBKALASÜST0106            | 6                            |   | 55                             | 33  | 16   | 47  | 0,6    | 30                |
|               | HBKALASÜST0108            | 8                            |   |                                |     |      |     |        |                   |
|               | HBKALASÜST0110            | 10                           | 1/8"                                    |                                |     |      |     |        |                   |
|               | HBKALASÜST0112            | 12                           |   |                                |     |      |     |        |                   |
|               | HBKALASÜST0113,5          | 13,5                         | 1/4"                                    |                                |     |      |     |        |                   |
|               | HBKALASÜST0114            | 14                           |   |                                |     |      |     |        |                   |
|               | HBKALASÜST0115            | 15                           |   |                                |     |      |     |        |                   |
|               | HBKALASÜST0116            | 16                           |   |                                |     |      |     |        |                   |
|               | HBKALASÜST0117,2          | 17,2                         | 3/8"                                    |                                |     |      |     |        |                   |
|               | HBKALASÜST0118            | 18                           |   |                                |     |      |     |        |                   |
| A2            | HBKALASÜST0220            | 20                           |   | 70                             | 45  | 24   | 63  | 0,6    | 30                |
|               | HBKALASÜST0221,3          | 21,3                         | 1/2"                                    |                                |     |      |     |        |                   |
|               | HBKALASÜST0222            | 22                           |   |                                |     |      |     |        |                   |
|               | HBKALASÜST0225            | 25                           |   |                                |     |      |     |        |                   |
|               | HBKALASÜST0226,9          | 26,9                         | 3/4"                                    |                                |     |      |     |        |                   |
|               | HBKALASÜST0228            | 28                           |   |                                |     |      |     |        |                   |
|               | HBKALASÜST0230            | 30                           |   |                                |     |      |     |        |                   |
| A3            | HBKALASÜST032             | 32                           |   | 85                             | 60  | 30   | 75  | 0,6    | 30                |
|               | HBKALASÜST333,7           | 33,7                         | 1"                                      |                                |     |      |     |        |                   |
|               | HBKALASÜST0335            | 35                           |   |                                |     |      |     |        |                   |
|               | HBKALASÜST0338            | 38                           |   |                                |     |      |     |        |                   |
|               | HBKALASÜST0342            | 42                           | 1-1/4"                                  |                                |     |      |     |        |                   |
| A4            | HBKALASÜST0444,5          | 44,5                         |   | 115                            | 90  | 44,5 | 107 | 2      | 45                |
|               | HBKALASÜST0448,3          | 48,3                         | 1-1/2"                                  |                                |     |      |     |        |                   |
|               | HBKALASÜST0450,8          | 50,8                         |   |                                |     |      |     |        |                   |
|               | HBKALASÜST0455            | 55                           |   |                                |     |      |     |        |                   |
|               | HBKALASÜST0457            | 57                           |   |                                |     |      |     |        |                   |
|               | HBKALASÜST0460,3          | 60,3                         | 2"                                      |                                |     |      |     |        |                   |
|               | HBKALASÜST0463,5          | 63,5                         |   |                                |     |      |     |        |                   |
|               | HBKALASÜST0465            | 65                           |   |                                |     |      |     |        |                   |
|               | HBKALASÜST0470            | 70                           |   |                                |     |      |     |        |                   |
| A5            | HBKALASÜST0576,1          | 76,1                         | 2-1/2"                                  | 154                            | 122 | 60   | 140 | 2      | 60                |
|               | HBKALASÜST0588,9          | 88,9                         | 3"                                      |                                |     |      |     |        |                   |
| A6            | HBKALASÜST06114,3         | 114,3                        | 4"                                      | 206                            | 168 | 84   | 196 | 2      | 80                |

## Aluminyum Ağır Seri Aluminium Heavy Series



### Aluminyum Kelepçe Gövdesi Al Clamp Body



| Grup<br>Group  | Ürün Kodu<br>Product Code | Dış Çap<br>O.D of Pipe<br>mm | Boru Diş<br>Nominal Bore Pipe<br>Inches | Ölçü Tablosu / Dimension Table |     |     |        |                   |
|----------------|---------------------------|------------------------------|---|--------------------------------|-----|-----|--------|-------------------|
|                |                           |                              |   | L1                             | L2  | H   | S min. | Genişlik<br>Width |
| A1             | HBKALASGÖV0106            | 6                            |   | 55                             | 33  | 32  | 0,6    | 30                |
|                | HBKALASGÖV0108            | 8                            |   |                                |     |     |        |                   |
|                | HBKALASGÖV0110            | 10                           | 1/8"                                    |                                |     |     |        |                   |
|                | HBKALASGÖV0112            | 12                           |   |                                |     |     |        |                   |
|                | HBKALASGÖV0113,5          | 13,5                         | 1/4"                                    |                                |     |     |        |                   |
|                | HBKALASGÖV0114            | 14                           |   |                                |     |     |        |                   |
|                | HBKALASGÖV0115            | 15                           |   |                                |     |     |        |                   |
|                | HBKALASGÖV0116            | 16                           |   |                                |     |     |        |                   |
|                | HBKALASGÖV0117,2          | 17,2                         | 3/8"                                    |                                |     |     |        |                   |
|                | HBKALASGÖV0118            | 18                           |   |                                |     |     |        |                   |
| A2             | HBKALASGÖV0220            | 20                           |   | 70                             | 45  | 48  | 0,6    | 30                |
|                | HBKALASGÖV0221,3          | 21,3                         | 1/2"                                    |                                |     |     |        |                   |
|                | HBKALASGÖV0222            | 22                           |   |                                |     |     |        |                   |
|                | HBKALASGÖV0225            | 25                           |   |                                |     |     |        |                   |
|                | HBKALASGÖV0226,9          | 26,9                         | 3/4"                                    |                                |     |     |        |                   |
|                | HBKALASGÖV0228            | 28                           |   |                                |     |     |        |                   |
|                | HBKALASGÖV0230            | 30                           |   |                                |     |     |        |                   |
| A3             | HBKALASGÖV032             | 32                           |   | 85                             | 60  | 50  | 0,6    | 30                |
|                | HBKALASGÖV333,7           | 33,7                         | 1"                                      |                                |     |     |        |                   |
|                | HBKALASGÖV0335            | 35                           |   |                                |     |     |        |                   |
|                | HBKALASGÖV0338            | 38                           |   |                                |     |     |        |                   |
|                | HBKALASGÖV0342            | 42                           | 1-1/4"                                  |                                |     |     |        |                   |
| A4             | HBKALASGÖV0444,5          | 44,5                         |   | 115                            | 90  | 89  | 2      | 45                |
|                | HBKALASGÖV0448,3          | 48,3                         | 1-1/2"                                  |                                |     |     |        |                   |
|                | HBKALASGÖV0450,8          | 50,8                         |   |                                |     |     |        |                   |
|                | HBKALASGÖV0455            | 55                           |   |                                |     |     |        |                   |
|                | HBKALASGÖV0457            | 57                           |   |                                |     |     |        |                   |
|                | HBKALASGÖV0460,3          | 60,3                         | 2"                                      |                                |     |     |        |                   |
|                | HBKALASGÖV0463,5          | 63,5                         |   |                                |     |     |        |                   |
|                | HBKALASGÖV0465            | 65                           |   |                                |     |     |        |                   |
| HBKALASGÖV0470 | 70                        |                              |   |                                |     |     |        |                   |
| A5             | HBKALASGÖV0576,1          | 76,1                         | 2-1/2"                                  | 154                            | 122 | 120 | 2      | 60                |
|                | HBKALASGÖV0588,9          | 88,9                         | 3"                                      |                                |     |     |        |                   |
| A6             | HBKALASGÖV06114,3         | 114,3                        | 4"                                      | 206                            | 168 | 168 | 2      | 80                |