

PNEUMATIC VALVES MANUAL OPERATED

VALVES SERIES 500



500 series valves, balance spool type, represent the best solution when spool valves with great reliability are necessary. They are available in the versions pull and push button and with the cloche, with 1/8" G, 1/4" G and 3/8" G ports..The body is in anodized aluminium and the spool in aluminium chemical nickel plated. Mounting is possible in line and on panel through the holes in valve body.

TECHNICAL DATA

FLOW RATES

SIZE	PORT G	FLOW RATE (NI/Min.)				
		3	4	5	6	7
A	1/8" - 1/4"	510	610	720	840	960
B	1/4" - 3/8"	880	1080	1320	1560	1780
Pressure bar		3	4	5	6	7

CONSTRUCTIVE FEATURES

Ports G	1/8" - 1/4" - 3/8"
Ways	3/2 - 5/2 - 5/3
Functions	Push and pull button / Cloche
Body	Anodized estruded aluminium
Spool	Aluminium chemical nickel plated
Seals	Nitrilic rubber NBR
Mounting	Holes in valve body

TECHNICAL DATA

Fluid	Filtered air
Lubrication	With or without lubrication
Lubricant	Compatible with NBR (3° ÷ 10°E) class H

TECHNICAL FEATURES

Denomination	Size	
	A 1/8" - 1/4"	B 1/4" - 3/8"
Nominal diameter (mm)	5	8
Operating pressure	1 ÷ 10 bar	
Oressure range	-10°C ÷ + 60°C	
Installation	In any position	

RANGE

PUSH AND PULL BUTTON 3/2 - 5/2 ways



	Symbol	Size	Ports	Ways	Weight gr.	Model
Pilot spring Return of the spool by mechanical spring		A	1/8"	3/2	90	TC018010
Double pilot 3/2		A	1/8"	3/2	90	TC018020
Pilot spring Return of the spool by mechanical spring 5/2		A	1/8"	5/2	265	TC138010
Double pilot 5/2		A	1/8"	5/2	265	TC138020

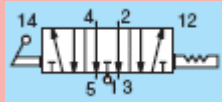
CLOCHE 5/2 - 5/3 ways



	Symbol	Size	Port	Ways	Weight gr.	Model
PILOT SPRING 5/2 WAYS		A	1/8"	5/2	386	MC138040
			1/4"			MC138041
		B	1/4"	5/2	729	MC134040
3/8"	MC134048					
DOUBLE PILOT 5/2 WAYS		A	1/8"	5/2	376	MC138020
			1/4"			MC138021
		B	1/4"	5/2	714	MC134020
3/8"	MC134028					
PILOT SPRING 5/3 C.C.		A	1/8"	5/3	406	MC518010
			1/4"			MC518011
		B	1/4"	5/3	749	MC514010
3/8"	MC514018					
PILOT SPRING 5/3 O.C.		A	1/8"	5/3	406	MC538010
			1/4"			MC538011
		B	1/4"	5/3	749	MC534010
3/8"	MC534018					
3 STABLE POSITIONS 5/3 C.C.		A	1/8"	5/3	376	MC518020
			1/4"			MC518021
		B	1/4"	5/3	714	MC514020
3/8"	MC514028					



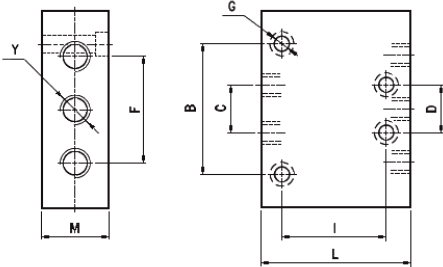
3 STABLE POSITIONS
5/3 O.C.



A	1/8"	5/3	376	MC538020
	1/4"			MC538021
B	1/4"	5/3	714	MC534020
	3/8"			MC534028

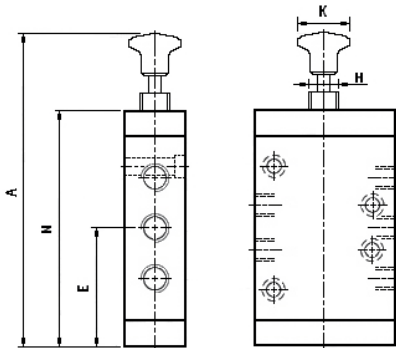
DIMENSIONS

COMMON DIMENSIONS



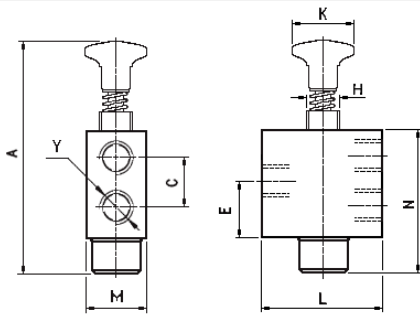
Size	Port	B	C	D	F	G	I	L	M	Y
A	1/8"	36	18	18	36	4.5	26	40	25	1/8"
A	1/4"	36	18	18	36	4.5	26	40	25	1/4"
B	1/4"	60	22	22	44	5.5	40	52	30	1/4"
B	3/8"	60	22	22	44	5.5	40	52	30	3/8"

PUSH AND PULL BUTTON 5/2 ways



Model	Port	A	E	H	K	N	Size
TC1380 10	1/8"	137	42	M15x1	24	101	A
TC1380 20	1/8"	137	42	M15x1	24	101	A

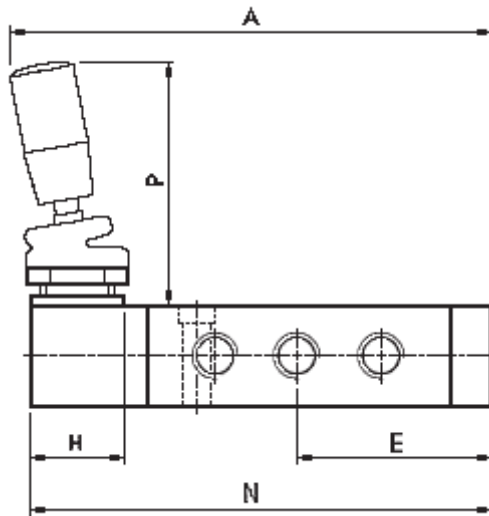
PUSH AND BUTTON BUTTON 3/2 ways



Model	Size	Port	A	C	E	H	K	L	M	N	Y
TC0 180 10	A	1/8"	85	18	19	M15x1	24	40	20	49	1/8"
TC0 180 20	A	1/8"	85	18	19	M15x1	24	40	20	49	1/8"



CLOCHE 5/2 - 5/3 ways



	Model	Size	port	A	E	N	P
PILOT SPRING 5/2 - 5/3 C.C.-O.C.	MC138040 MC138041 MC518010 MC518011 MC538010 MC538011	A	1/8" - 1/4"	83	52	119	64
	MC134040 MC134048 MC514010 MC514018 MC534010 MC534018	B	1/4" - 3/8"	124	66	152	61
DOUBLE PILOT 5/2 - 5/3 C.C.-O.C.	MC138020 MC138021 MC518020 MC518021 MC538020 MC538021	A	1/8" - 1/4"	83	52	119	64
	MC134020 MC134028 MC514020 MC514028 MC534020 MC534028	B	1/4" - 3/8"	124	66	152	61